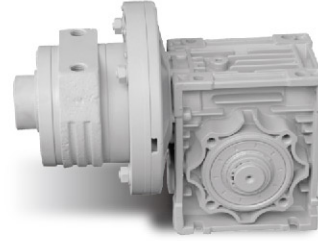


M860WX-T Series

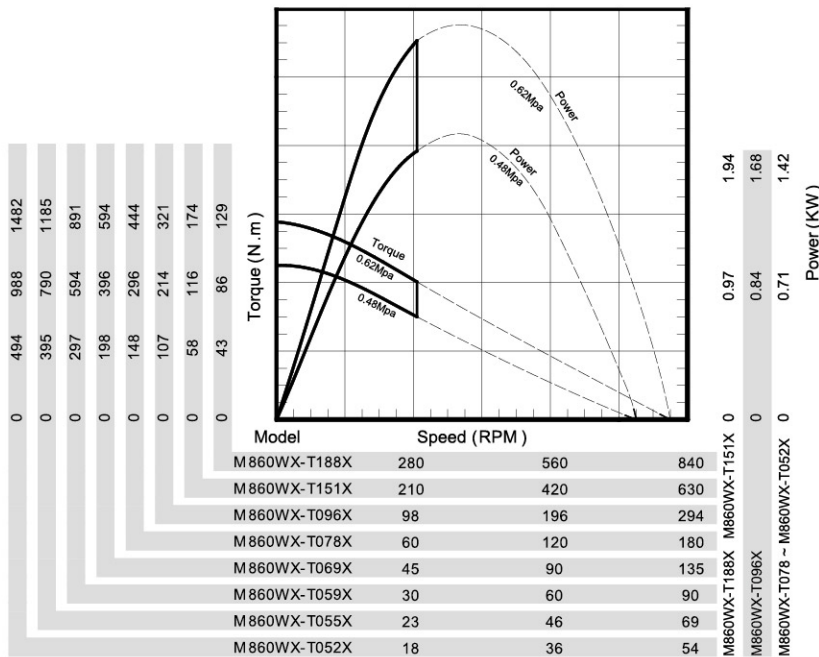
1.98KW/2.34KW/2.70KW



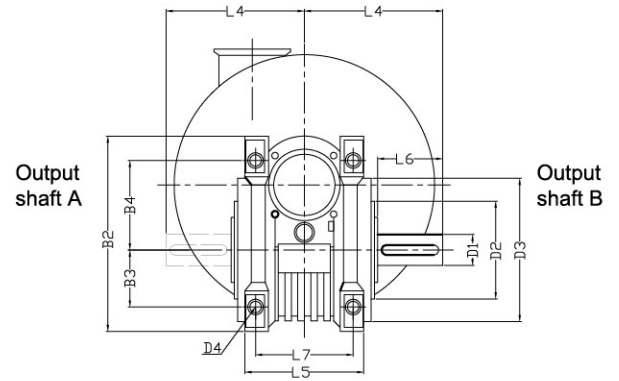
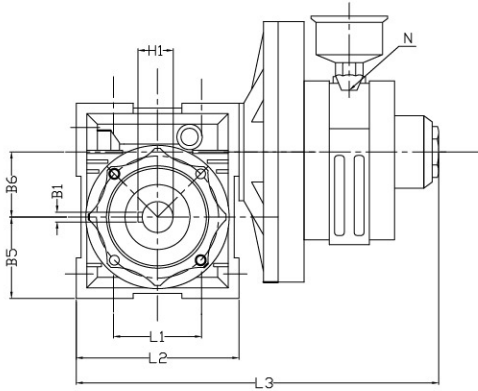
M860WX-T series specification

Model	Max Power (KW)	Speed at Max Power (RPM)	Free Speed (RPM)	Starting Torque(Nm)	Stall Torque (Nm)	Air Consumption (m³/m)	Weight(KG)
M860WX-T188X	2.70	289	808	88	123	4.3	20.2
M860WX-T151X	2.70	217	606	118	165	4.3	20.2
M860WX-T096X	2.34	101	282	219	306	4.3	22.2
M860WX-T078X	1.98	62	173	303	423	4.3	25.2
M860WX-T069X	1.98	46	130	403	564	4.3	28.2
M860WX-T059X	1.98	31	87	605	845	4.3	33.2
M860WX-T055X	1.98	23	65	807	1127	4.3	53.2
M860WX-T052X	1.98	19	52	1009	1409	4.3	53.2

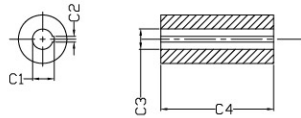
Performance Curves



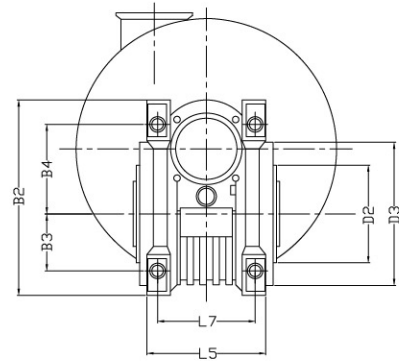
Dimension List – M860WX-T series vertical mounts



Output solid shaft



Size of the hollow shaft



Output hollow shaft K

Model	D1 DIA Output Shaft	D2 DIA. Mounting Platform	D3 DIA. Flange	D4 DIA. Mounting holes	H1 Key Height	L1 Pitch of Holes	L2 Base Width	L3 Overall Width	L4 Output Shaft Length	L5 Base Length	L6 Shaft Length	L7 Pitch of Holes	B1 Key Width	B2 Base Height	B3 Pitch of Holes	B4 Pitch of Holes	B5 Center Height	B6 Center Distance	C1 Key Height	C2 Key Width	C3 Inner DIA. Holes	A Base Thickness	C4 hollow shaft Length	N Inlet	
M860WX-T188X	25	70	105	14-Φ9	28	80	120	323	101	87	50	70	8	145	40	64	60	50	28.3	8	25	7.5	94	G1/2	
M860WX-T151X																									
M860WX-T096X	25	80	110	14-Φ9	28	100	145	345	116	106	55	85	8	175	50	80	72	63	28.3	8	25	8	114		
M860WX-T078X	28	95	140	14-Φ11	31	120	175	377	124	114	60	90	8	206	60	94	86	75	31.3	8	28	10	120		
M860WX-T069X	35	110	160	14-Φ13	38	140	210	411	155	134	80	100	10	240	70	102	103	90	38.3	10	35	11	140		
M860WX-T059X	42	130	200	14-Φ14	45	170	252	460	162	148	80	115	12	294	85	125	127.5	110	45.3	12	42		155		
M860WX-T055X	45	180	251	14-Φ16	48.5	200	292	500	170	162	80	120	14	335	100	140	147.5	130	48.8	14	45	15	170		
M860WX-T052X																									