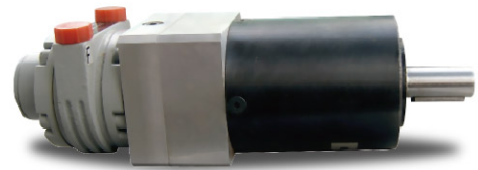


## M860NX-P Series

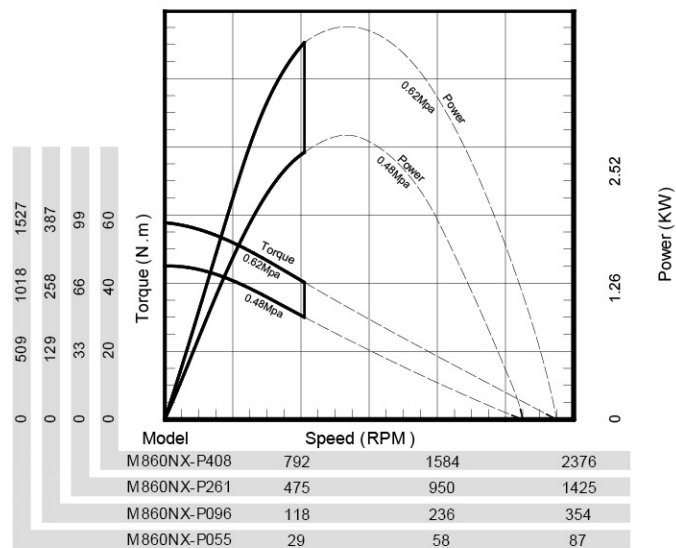
3.24KW/3.38KW/3.46KW



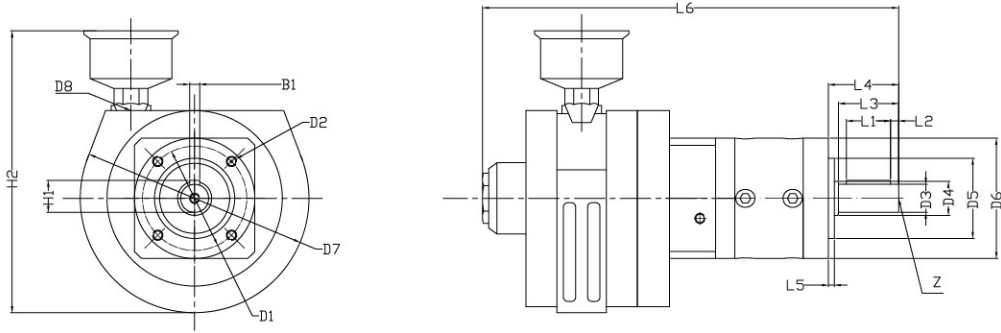
### M640NX-P series specification

Model	Max Power (KW)	Speed at Max Power (RPM)	Free Speed (RPM)	Starting Torque(Nm)	Stall Torque (Nm)	Air Consumption (m³/m)	Weight(KG)
M860NX-P408	3.46	816	2286	40	56	4.3	15.3
M860NX-P261	3.46	490	1372	67	93	4.3	15.3
M860NX-P096	3.38	121	339	264	368	4.3	20.9
M860NX-P055	3.28	30	83	1038	1450	4.3	42.9

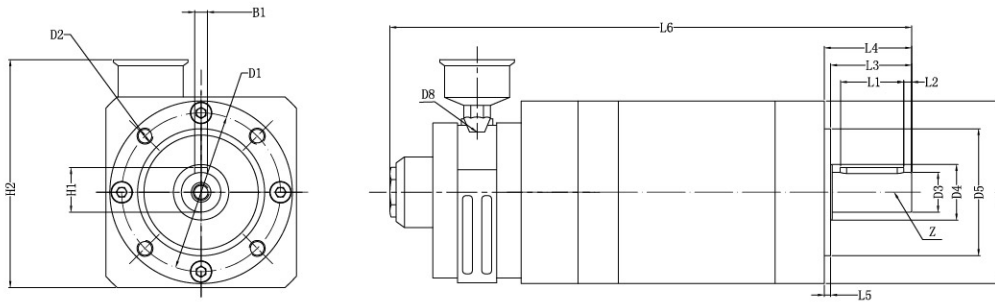
### Performance Curves



Dimension List – M860NX-P series vertical mounts



M860NX-P408, M860NX-P261, M860NX-P096 dimension



M860NX-P055 dimension

Model	D1 DIA. Mounting Platform	D2 DIA. Mounting holes	D3 DIA Output Shaft	D4 Shoulder of spindle	D5 DIA. Cover platform	D6 DIA. Shell	D7 Outside DIA	D8 Inlet	H1 Key Height	H2 Overall Height	B1 Key Width	L1 Key Length	L2 Key Width	L3 Distance between Key to Shaft	L4 Shaft Length	L5 Overall Shaft Length	L6 Mounting Platform thickness	Z DIA. Locating holes
M860NX-P408	70	M6*10	20	25	60	80	142	G1/2	22.5	183	6	28	4	36	40	3	354	M6*12
M860NX-P261											8	40	5	50	55	4	381	M10*22
M860NX-P096	100	M10*16	25	35	80	115	/	28	43	12	70	5	80	87	5	489	M12*24	