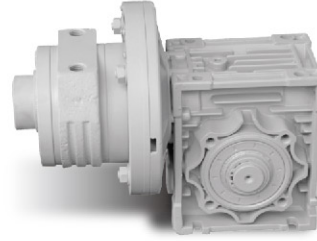


M640WX-T Series

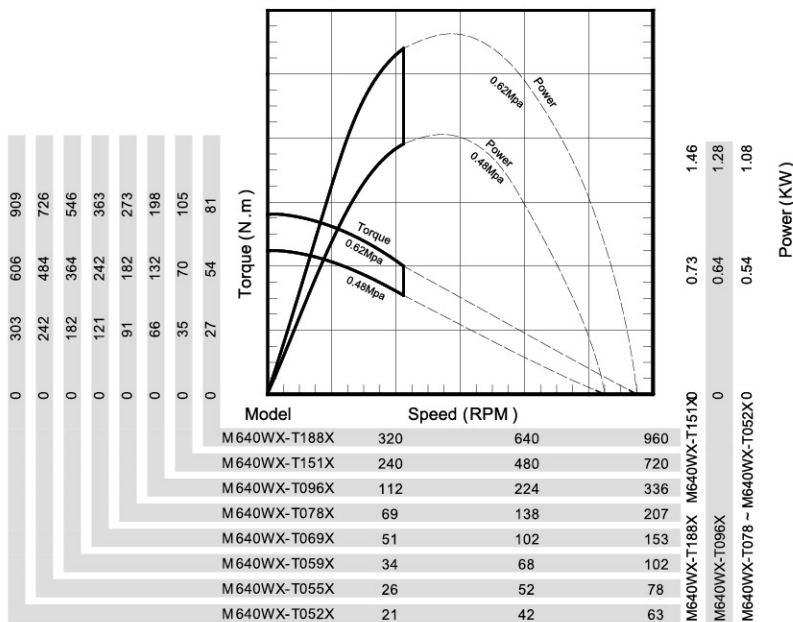
1.49KW/1.76KW/2.03KW



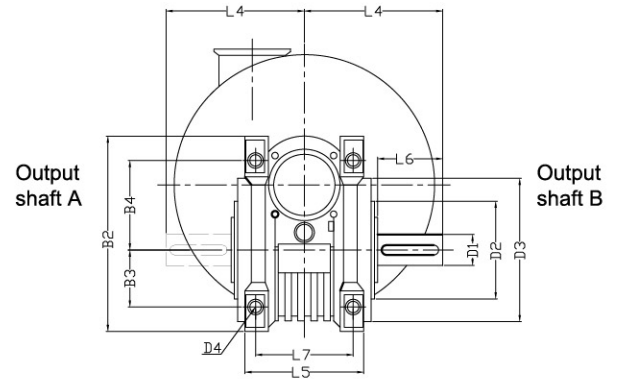
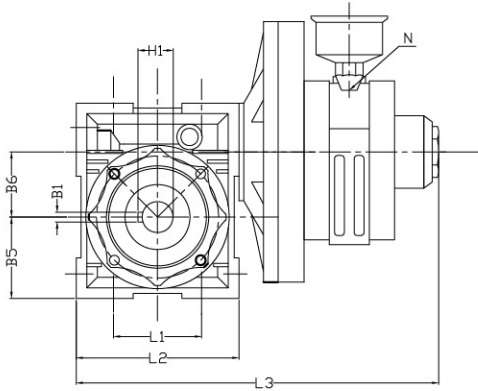
M640WX-T series specification

Model	Max Power (KW)	Speed at Max Power (RPM)	Free Speed (RPM)	Starting Torque(Nm)	Stall Torque (Nm)	Air Consumption (m³/m)	Weight(KG)
M640WX-T188X	2.03	346	912	47	77	3.4	15.9
M640WX-T151X	2.03	260	684	62	102	3.4	15.9
M640WX-T096X	1.76	121	318	116	190	3.4	19.4
M640WX-T078X	1.49	74	195	160	263	3.4	22.4
M640WX-T069X	1.49	56	146	214	350	3.4	25.4
M640WX-T059X	1.49	37	98	320	525	3.4	30.4
M640WX-T055X	1.49	28	73	427	700	3.4	50.4
M640WX-T052X	1.49	22	59	534	875	3.4	50.4

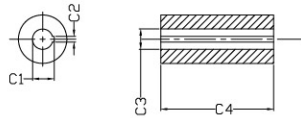
Performance Curves



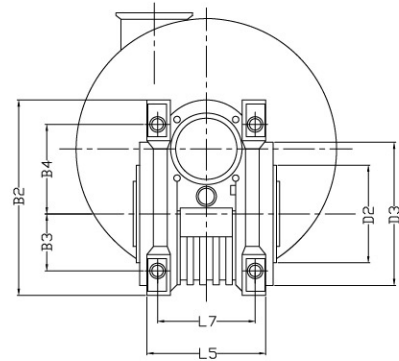
Dimension List – M640WX-T series vertical mounts



Output solid shaft



Size of the hollow shaft



Output hollow shaft K

Model	D1 DIA Output Shaft	D2 DIA. Mounting Platform	D3 DIA. Flange	D4 DIA. Mounting holes	H1 Key Height	L1 Pitch of Holes	L2 Base Width	L3 Overall Width	L4 Output Shaft Length	L5 Base Length	L6 Shaft Length	L7 Pitch of Holes	B1 Key Width	B2 Base Height	B3 Pitch of Holes	B4 Pitch of Holes	B5 Center Height	B6 Center Distance	C1 Key Height	C2 Key Width	C3 Inner DIA. Holes	A Base Thickness	C4 hollow shaft Length	N Inlet	
M640WX-T188X	19	60	88	14-Φ7	21.5	70	100	268	85	73	40	60	6	120	35	55	50	40	21.8	6	19	6.5	80	G1/2	
M640WX-T151X																									
M640WX-T096X	25	80	110	14-Φ9	28	100	145	316	116	106	55	85	8	175	50	80	72	63	28.3	8	25	8	114		
M640WX-T078X	28	95	140	14-Φ11	31	120	175	350	124	114	60	90	8	206	60	94	86	75	31.3	8	28	10	120		
M640WX-T069X	35	110	160	14-Φ13	38	140	210	382	155	134	80	100	10	240	70	102	103	90	38.3	10	35	11	140		
M640WX-T059X	42	130	200	14-Φ14	45	170	252	431	162	148	80	115	12	294	85	125	127.5	110	45.3	12	42		155		
M640WX-T055X	45	180	251	14-Φ16	48.5	200	292	471	170	162	80	120	14	335	100	140	147.5	130	48.8	14	45	15	170		
M640WX-T052X																									