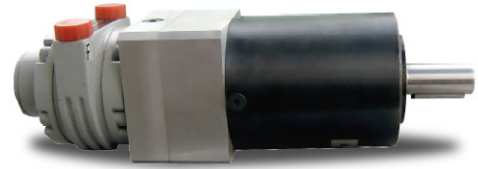


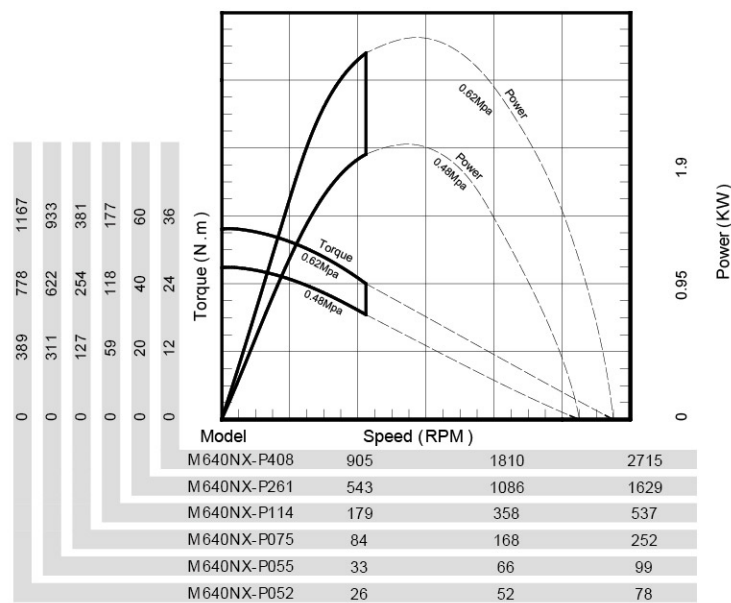
M640NX-P Series 2.43KW/2.54KW/2.60KW



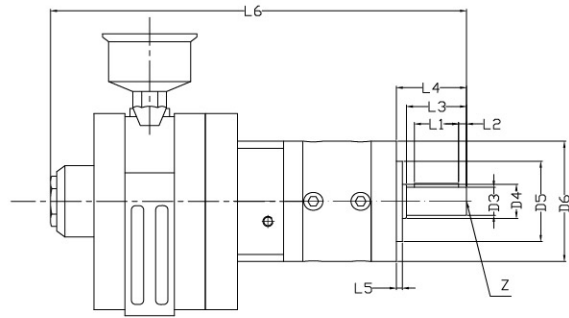
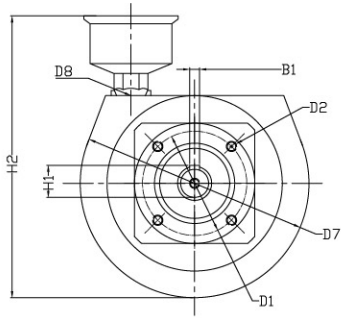
M640NX-P series specification

Model	Max Power (KW)	Speed at Max Power (RPM)	Free Speed (RPM)	Starting Torque(Nm)	Stall Torque (Nm)	Air Consumption (m³/m)	Weight(KG)
M640NX-P408	2.59	980	2580	21	35	3.4	11.1
M640NX-P261	2.59	588	1548	35	58	3.4	11.1
M640NX-P114	2.54	194	511	105	172	3.4	13.8
M640NX-P075	2.54	91	239	223	366	3.4	18.1
M640NX-P055	2.46	36	94	549	901	3.4	40.1
M640NX-P052	2.46	29	75	687	1126	3.4	40.1

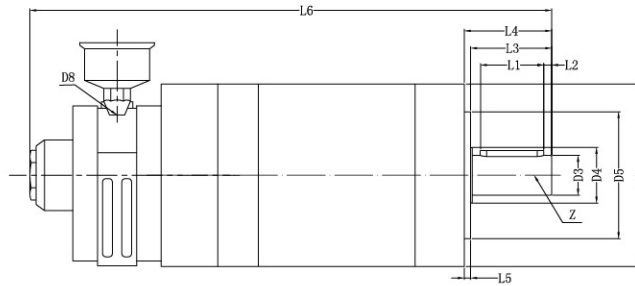
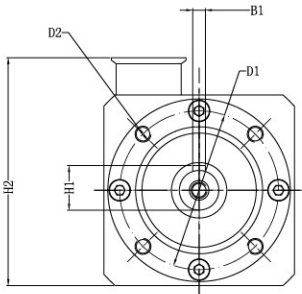
Performance Curves



Dimension List – M640NX-P series vertical mounts



M640NX-P408~M640NX-P075 dimension



M640NX-P Series of other dimensions

Model	D1 DIA. Mounting Platform	D2 DIA. Mounting holes	D3 DIA Output Shaft	D4 Shoulder of spindle	D5 DIA. Cover platform	D6 DIA. Shell	D7 Outside DIA	D8 Inlet	H1 Key Height	H2 Overall Height	B1 Key Width	L1 Key Length	L2 Key Width	L3 Distance between Key to Shaft	L4 Shaft Length	L5 Overall Shaft Length	L6 Mounting Platform thickness	Z DIA. Locating holes
M640NX-P408	70	M6*10	20	25	60	80	127	G1/2	22.5	183	6	28	4	36	40	3	296	M6*12
M640NX-P261																	313	
M640NX-P114																	313	
M640NX-P075	100	M 10*16	25	35	80	115	/	28	8	40	5	50	55	4	352	M 10*22		
M640NX-P055	145	M 12*20	40	55	130	160	/	43	12	70	5	80	87	5	460	M 12*24		
M640NX-P052																		