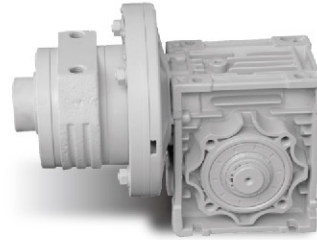


M420WX-T Series

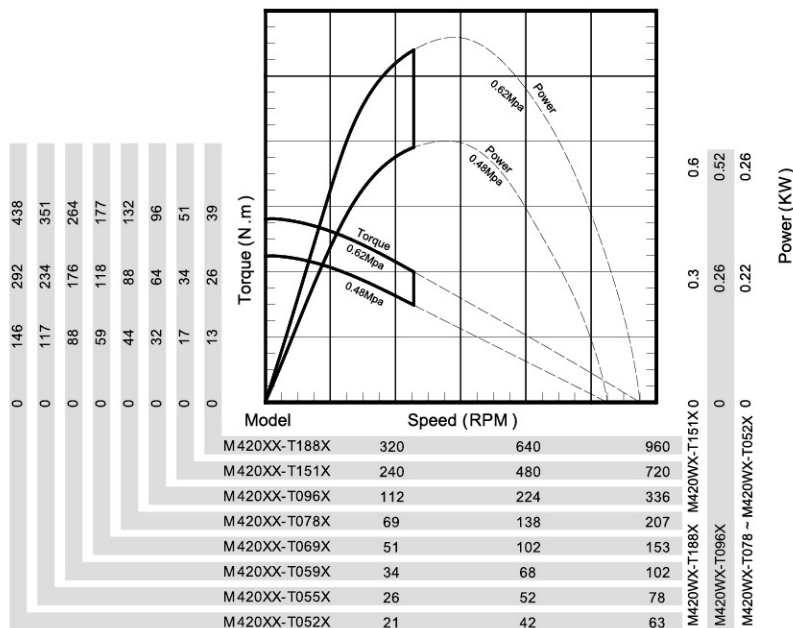
0.61KW/0.72KW/0.83KW



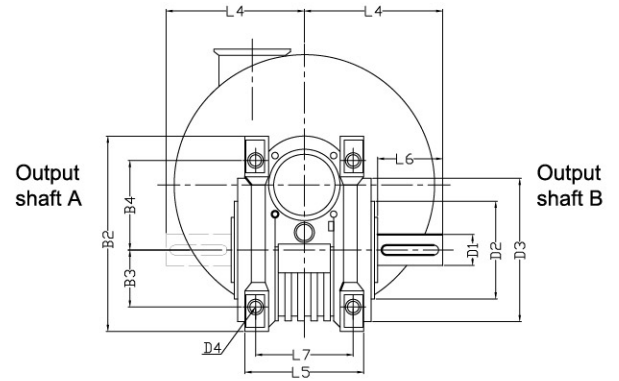
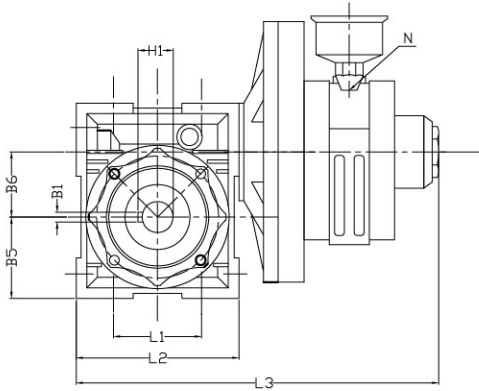
M220WX-T series specification

Model	Max Power (KW)	Speed at Max Power (RPM)	Free Speed (RPM)	Starting Torque(Nm)	Stall Torque (Nm)	Air Consumption (m³/m)	Weight(KG)
M420WX-T188X	0.83	346	912	23	36	1.9	9
M420WX-T151X	0.83	260	684	30	48	1.9	9
M420WX-T096X	0.72	121	318	56	90	1.9	11.5
M420WX-T078X	0.61	74	195	78	125	1.9	13
M420WX-T069X	0.61	56	146	104	166	1.9	15
M420WX-T059X	0.61	37	98	156	249	1.9	18
M420WX-T055X	0.61	28	73	208	332	1.9	21
M420WX-T052X	0.61	22	59	260	415	1.9	21

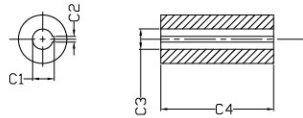
Performance Curves



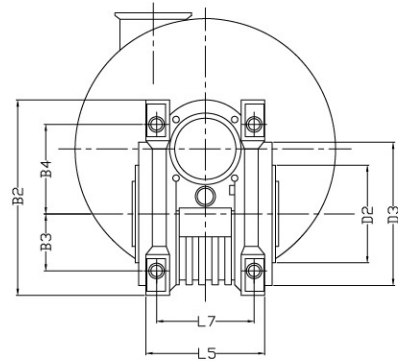
Dimension List – M420WX-T series vertical mounts



Output solid shaft



Size of the hollow shaft



Output hollow shaft K

Model	D1	D2	D3	D4	H1	L1	L2	L3	L4	L5	L6	L7	B1	B2	B3	B4	B5	B6	C1	C2	C3	A	C4	N	
	DIA. Output Shaft	DIA. Mounting Platform	DIA. Flange	DIA. Mounting holes	Key Height	Pitch of Holes	Base Width	Overall Width	Output Shaft Length	Base Length	Shaft Length	Pitch of Holes	Key Width	Base Height	Pitch of Holes	Pitch of Holes	Center Height	Center Distance	Key Height	Key Width	Inner DIA. Holes	Base Thickness	hollow shaft Length	Inlet	
M420WX-T188X	14	55	75	14-Φ6	16	54	80	208	65	58	30	43	5	98	27	44	40	30	16.3	5	14	5	64	G1/4	
M420WX-T151X																									
M420WX-T096X	19	60	88	14-Φ7	21.5	70	100	229	85	73	40	60	6	120	35	55	50	40	21.8	6	19	6.5	80		
M420WX-T078X	25	70	105	14-Φ9	28	80	120	255	101	87	50	70	8	145	40	64	60	50	28.3	8	25	7.5	94		
M420WX-T069X	25	80	110		28	100	145	277	116	106	55	85	8	175	50	80	72	63	28.3	8	25	8	114		
M420WX-T059X	28	95	140	14-Φ11	31	120	175	311	124	114	60	90	8	206	60	94	86	75	31.3	8	28	10	120		
M420WX-T055X	35	110	160	14-Φ13	38	140	206	343	155	134	80	100	10	240	70	102	103	90	38.3	10	35	11	140		
M420WX-T052X																									