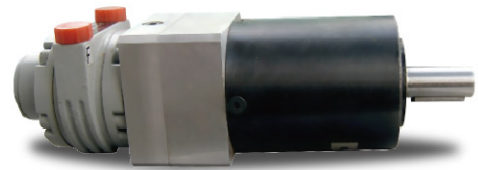


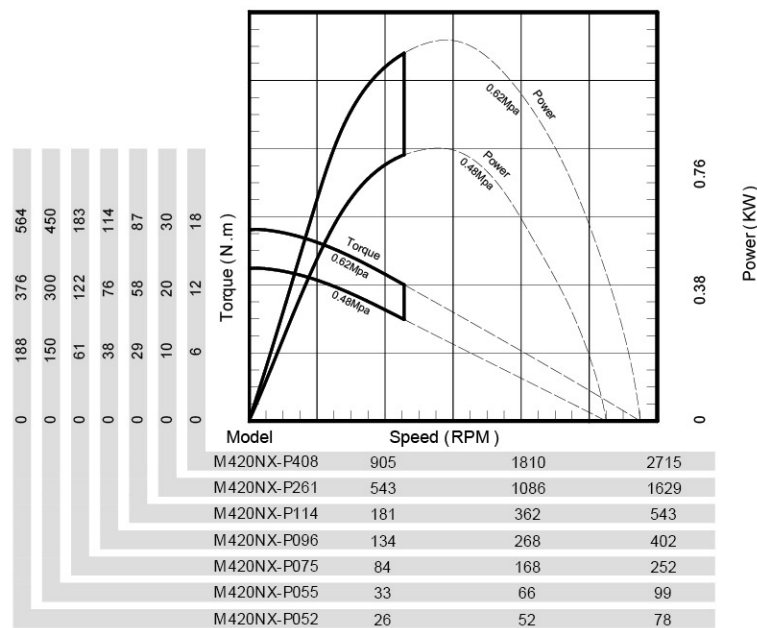
M420NX-P Series 0.99KW/1.03KW/1.05KW



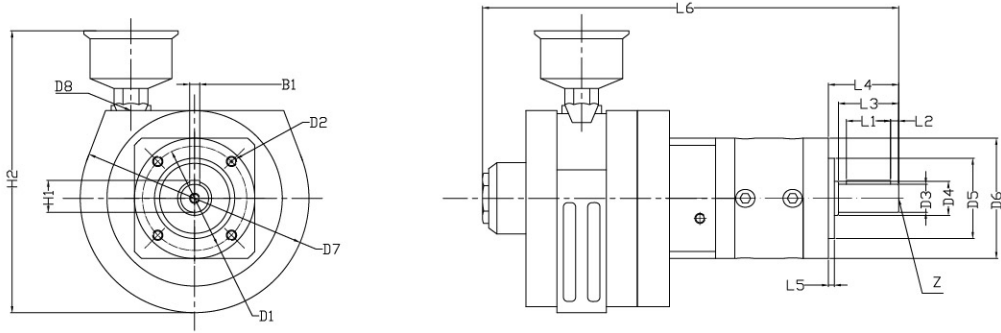
M420NX-P series specification

Model	Max Power (KW)	Speed at Max Power (RPM)	Free Speed (RPM)	Starting Torque(Nm)	Stall Torque (Nm)	Air Consumption (m ³ /m)	Weight(KG)
M420NX-P408	1.06	980	2580	10	16	1.9	6.8
M420NX-P261	1.06	588	1548	17	27	1.9	6.8
M420NX-P114	1.03	194	511	51	81	1.9	7
M420NX-P096	1.03	145	383	68	109	1.9	9.5
M420NX-P075	1.03	91	239	109	174	1.9	9.5
M420NX-P055	1.00	36	94	267	427	1.9	15.8
M420NX-P052	1.00	29	75	334	534	1.9	15.8

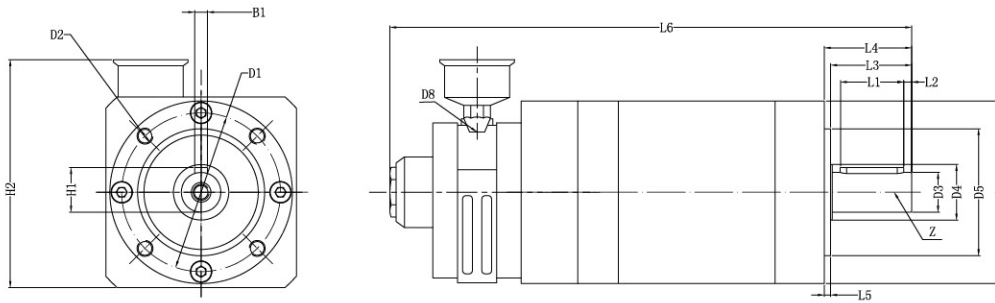
Performance Curves



Dimension List – M420NX-P series vertical mounts



M420NX-P408~M420NX-P075 dimension



M420NX-P Series of other dimensions

Model	D1 DIA. Mounting Platform	D2 DIA. Mounting holes	D3 DIA Output Shaft	D4 Shoulder of spindle	D5 DIA. Cover platform	D6 DIA. Shell	D7 Outside DIA	D8 Inlet	H1 Key Height	H2 Overall Height	B1 Key Width	L1 Key Length	L2 Key Width	L3 Distance between Key to Shaft	L4 Shaft Length	L5 Overall Shaft Length	L6 Mounting Platform thickness	Z DIA. Locating holes
M420NX-P408	52	M5*8	14	17	40	60	114	G1/4	16	142	5	22	4	30	35	3	224	M5*10
M420NX-P261																	240	
M420NX-P114																	240	
M420NX-P096	70	M6*10	20	25	60	80			22.5		6	28	4	36	40	3	256	M6*12
M420NX-P075																	256	
M420NX-P055	100	M 10*16	25	35	80	115	/		28	144	8	40	5	50	55	4	322	M 10*22
M420NX-P052																	322	