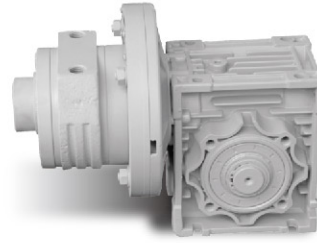


## M220WX-T Series

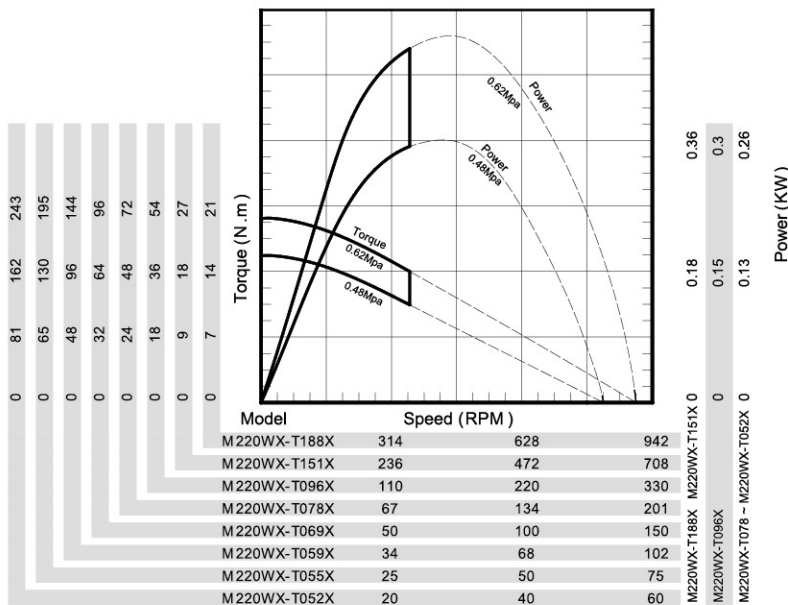
0.36KW/0.43KW/0.50KW



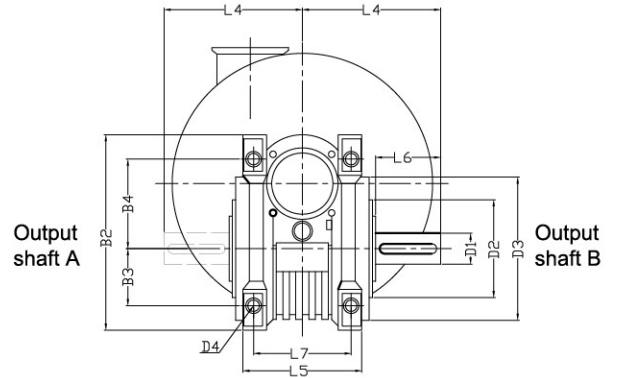
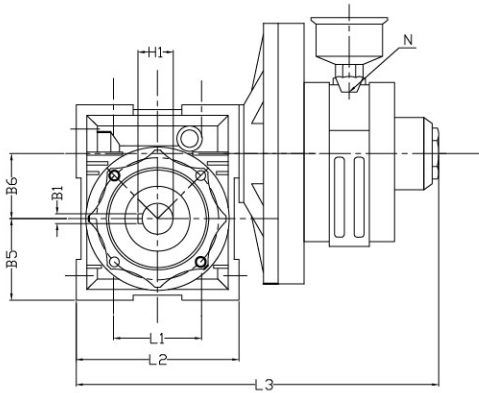
### M220WX-T series specification

Model	Max Power (KW)	Speed at Max Power (RPM)	Free Speed (RPM)	Starting Torque(Nm)	Stall Torque (Nm)	Air Consumption (m³/m)	Weight(KG)
M220WX-T188X	0.50	346	932	15	20	1.4	8.7
M220WX-T151X	0.50	260	699	20	27	1.4	8.7
M220WX-T096X	0.43	121	325	37	50	1.4	11.2
M220WX-T078X	0.36	74	199	51	69	1.4	12.7
M220WX-T069X	0.36	56	150	68	92	1.4	14.7
M220WX-T059X	0.36	37	100	102	138	1.4	14.7
M220WX-T055X	0.36	28	75	136	184	1.4	17.7
M220WX-T052X	0.36	22	60	171	230	1.4	17.7

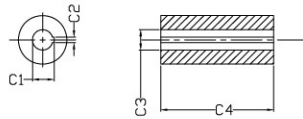
### Performance Curves



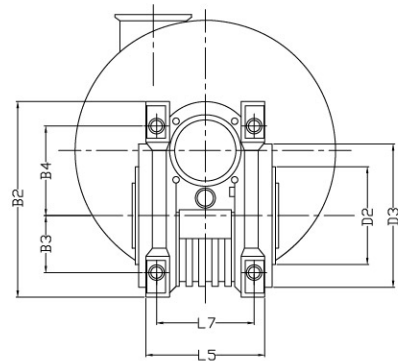
Dimension List – M220WX-T series vertical mounts



Output solid shaft



Size of the hollow shaft



Output hollow shaft K

Model	D1 DIA Output Shaft	D2 DIA. Mounting Platform	D3 DIA. Flange	D4 DIA. Mounting holes	H1 Key Height	L1 Pitch of Holes	L2 Base Width	L3 Overall Width	L4 Output Shaft Length	L5 Base Length	L6 Shaft Length	L7 Pitch of Holes	B1 Key Width	B2 Base Height	B3 Pitch of Holes	B4 Pitch of Holes	B5 Center Height	B6 Center Distance	C1 Key Height	C2 Key Width	C3 Inner DIA. Holes	A Base Thickness	C4 hollow shaft Length	N Inlet	
M220WX-T188X	14	55	75	14-Φ6	16	54	80	187	65	58	30	43	5	98	27	44	40	30	16.3	5	14	5	64	G1/4	
M220WX-T151X																									
M220WX-T096X	19	60	88	14-Φ7	21.5	70	100	208	85	73	40	60	6	120	35	55	50	40	21.8	6	19	6.5	80		
M220WX-T078X	25	70	105	14-Φ9	28	80	120	234	101	87	50	70	8	145	40	64	60	50	28.3	8	25	7.5	94		
M220WX-T069X	25	80	110	14-Φ9	28	100	145	256	116	106	55	85	8	175	50	80	72	63	28.3	8	25	8	114		
M220WX-T059X																									
M220WX-T055X	28	95	140	14-Φ11	31	120	175	290	124	114	60	90	8	206	60	94	86	75	31.3	8	28	10	120		
M220WX-T052X																									