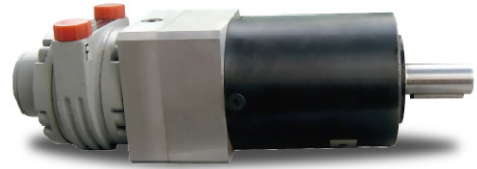


M220NX-P Series

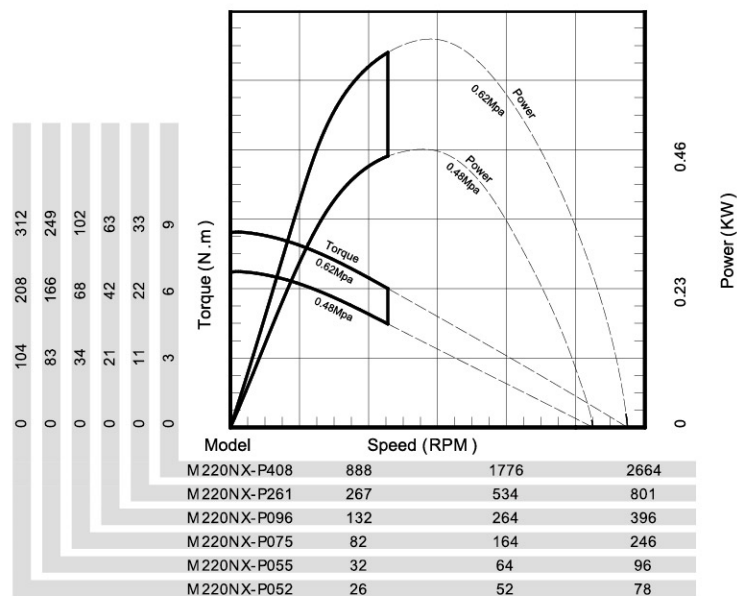
0.59KW/0.62KW/0.63KW



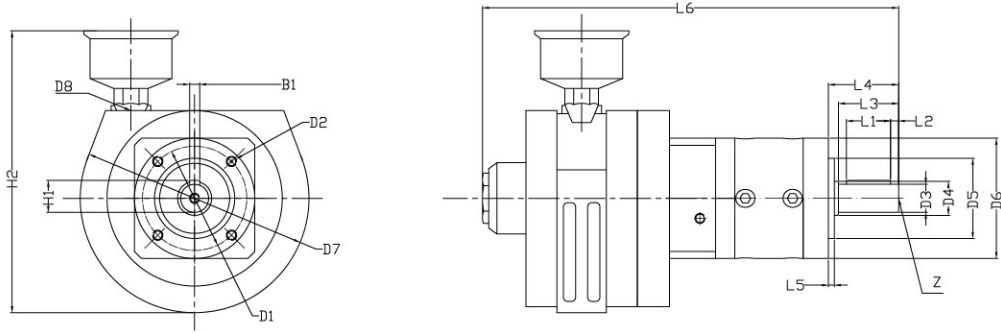
M220NX-P series specification

Model	Max Power (KW)	Speed at Max Power (RPM)	Free Speed (RPM)	Starting Torque(Nm)	Stall Torque (Nm)	Air Consumption (m ³ /m)	Weight(KG)
M220NX-P408	0.63	980	2636	7	9	1.4	6.5
M220NX-P261	0.63	588	1581	11	15	1.4	6.5
M220NX-P096	0.62	145	391	45	60	1.4	9.2
M220NX-P075	0.62	91	245	71	96	1.4	9.2
M220NX-P055	0.60	36	96	176	237	1.4	15.5
M220NX-P052	0.60	29	77	219	296	1.4	15.5

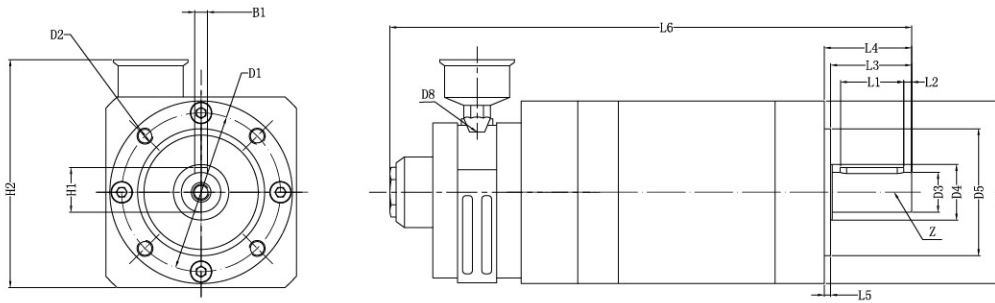
Performance Curves



Dimension List – M220NX-P series vertical mounts



M220NX-P408~M220NX-P075 dimension



M220NX-P Series of other dimensions

Model	D1 DIA. Mounting Platform	D2 DIA. Mounting holes	D3 DIA Output Shaft	D4 Shoulder of spindle	D5 DIA. Cover platform	D6 DIA. Shell	D7 Outside DIA	D8 Inlet	H1 Key Height	H2 Overall Height	B1 Key Width	L1 Key Length	L2 Key Width	L3 Distance between Key to Shaft	L4 Shaft Length	L5 Overall Shaft Length	L6 Mounting Platform thickness	Z DIA. Locating holes
M220NX-P408	52	M5*8	14	17	40	60	114	G1/4	16	141	5	22	4	30	35	3	201	M5*10
M220NX-P261																		
M220NX-P096	70	M6*10	20	25	60	80	/	G1/4	22.5	144	6	28	4	36	40	3	235	M6*12
M220NX-P075																		
M220NX-P055	100	M10*16	25	35	80	115	/	G1/4	28	144	8	40	5	50	55	4	301	M10*22
M220NX-P052																		