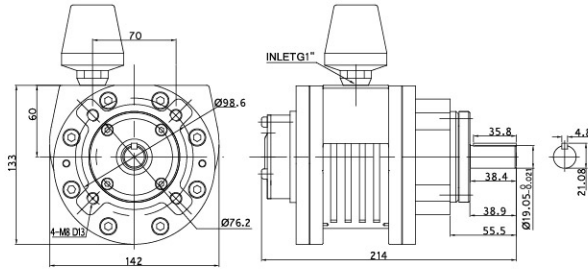


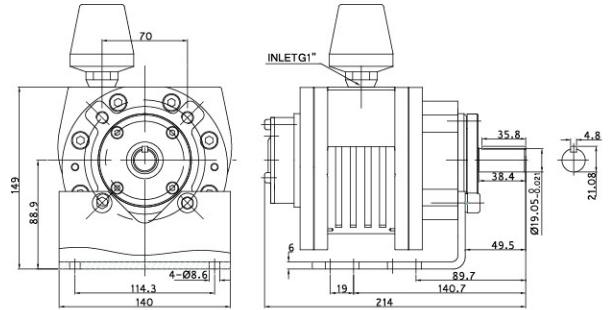
M10 Series Multi-Vane Air Motor



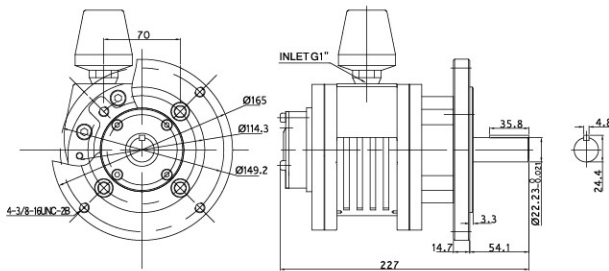
M1050N Dimension Drawing



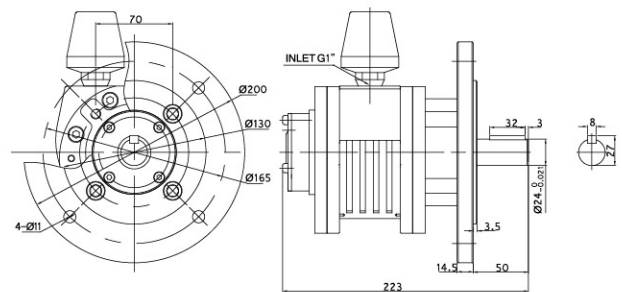
M1050W Dimension Drawing



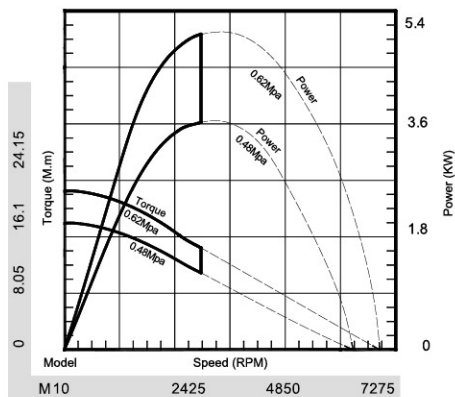
M1070F Dimension Drawing



M1060F Dimension Drawing



Performance Curve of Power, Torque and Speed



Performance Curve of Radial Load, Air Consumption and Speed

