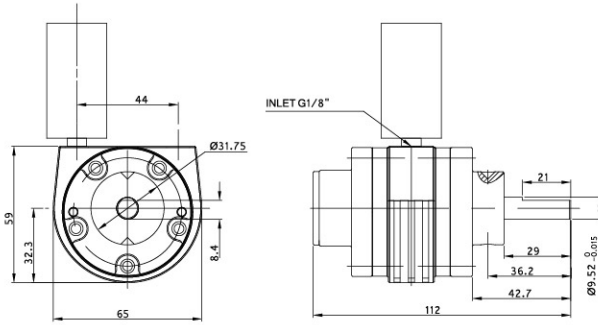


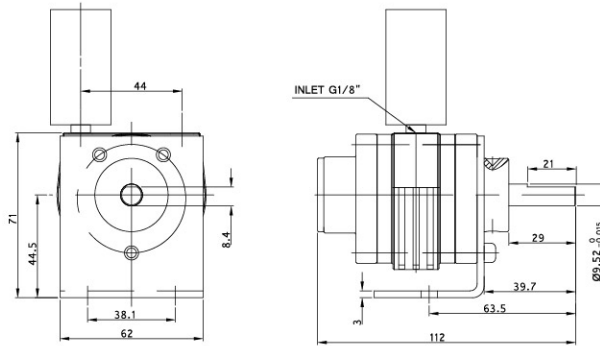
# M1 Series Multi-Vane Air Motor



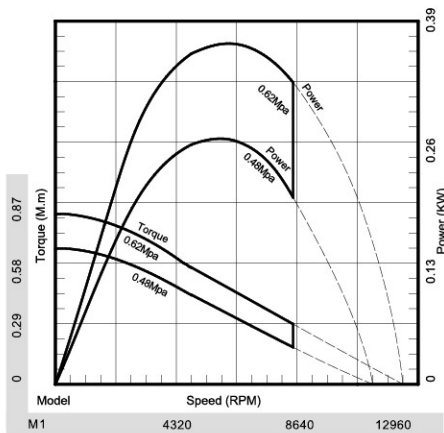
M100N Dimension Drawing



M100W Dimension Drawing



Performance Curve of Power, Torque and Speed



Performance Curve of Radial Load, Air Consumption and Speed

